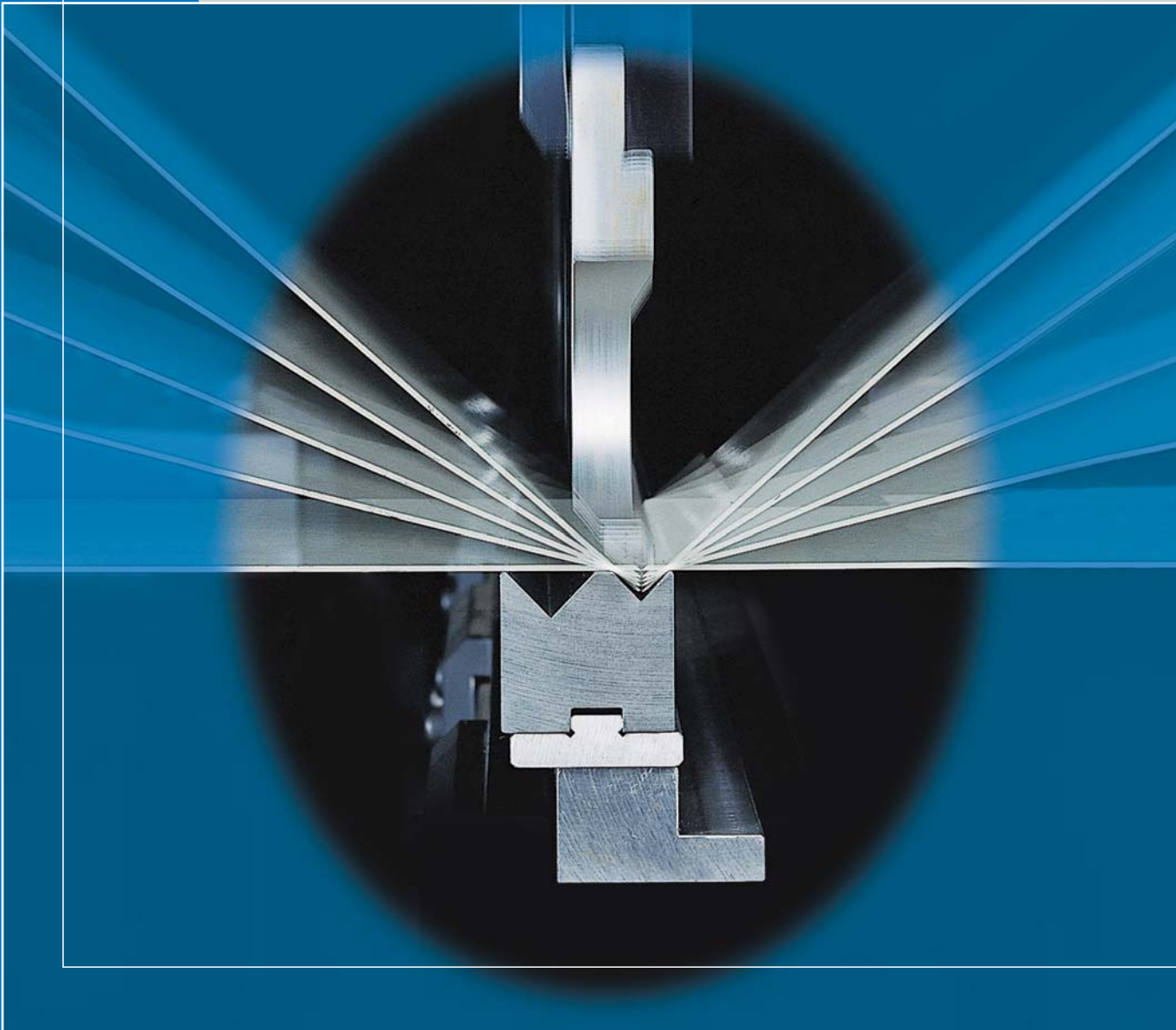


# 高精密油壓折彎模具

- 上刀系列
- 底模系列
- 特殊模具製品

**TOOLING LIST FOR PRESS BRAKE**  
PUNCHES / DIES / OPTIONAL MOULD ACCESSORIES





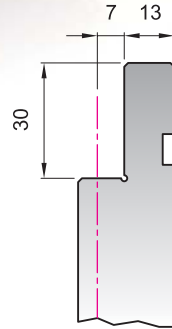
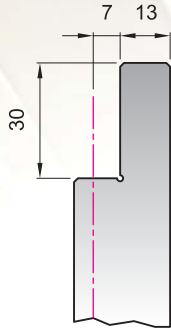
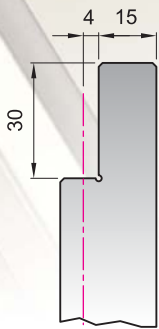
## 刀頭 DIE TONGUES

標準夾用 Safety Tongue

標準夾用 Safety Tongue

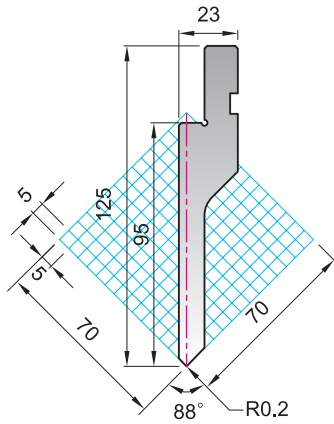
快速夾用 Quick-Release Tongue

油壓夾用 Hydraulic-Clamp Tongue

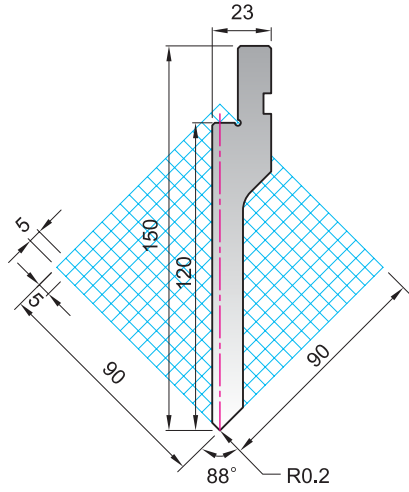


## 上刀 PUNCHES

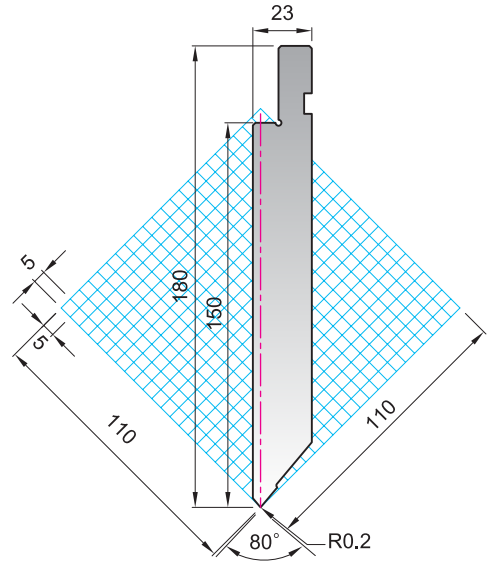
NO.112A



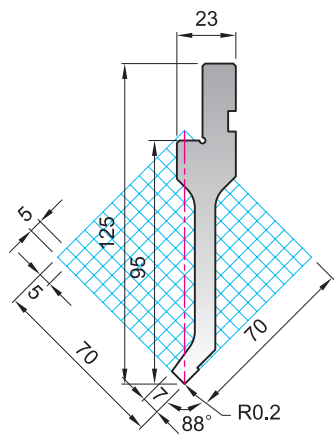
NO.112B



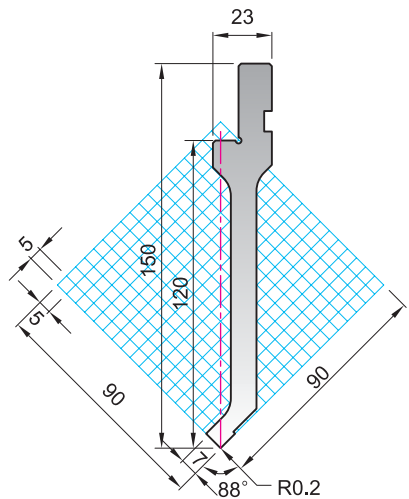
NO.112C



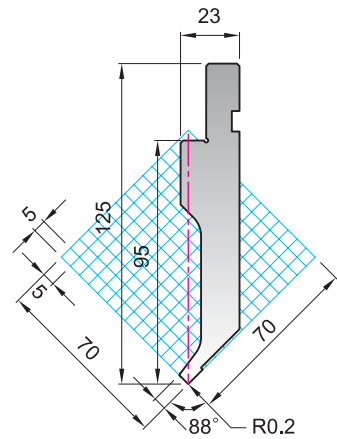
NO.113A



NO.113B



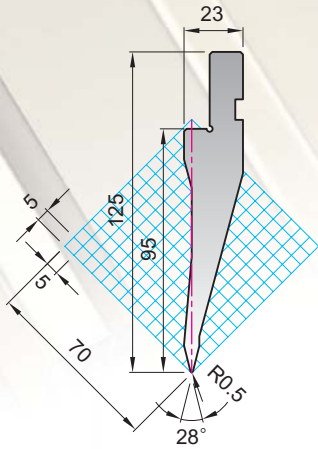
NO.114A-1



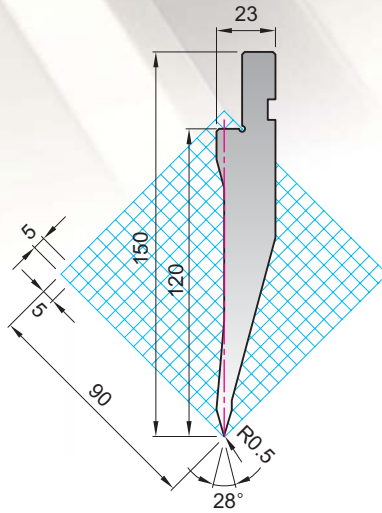


## 上刀 PUNCHES

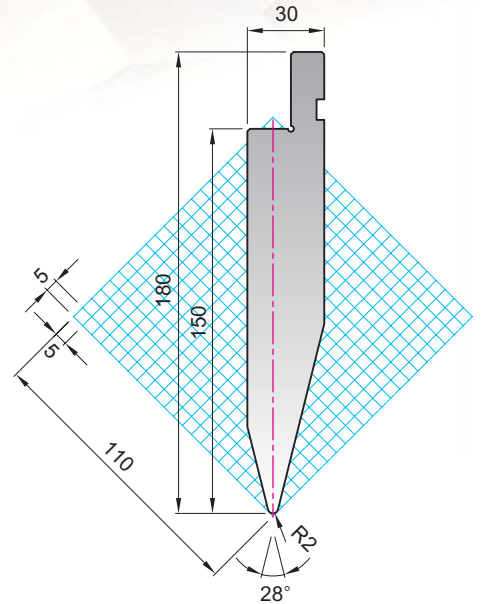
NO.117A



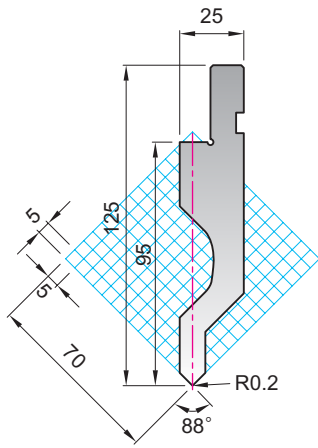
NO.117B



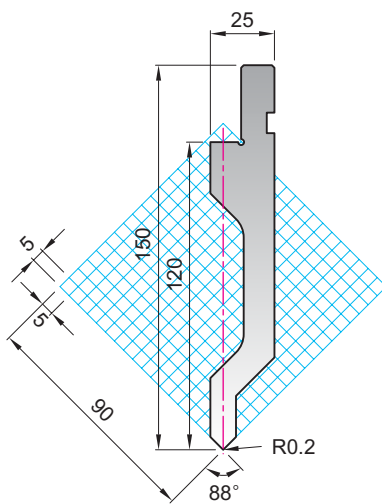
NO.117C



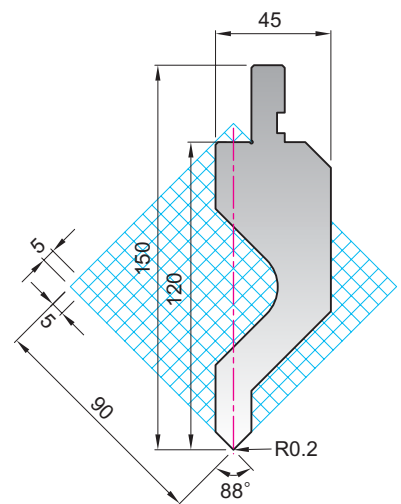
NO.118A



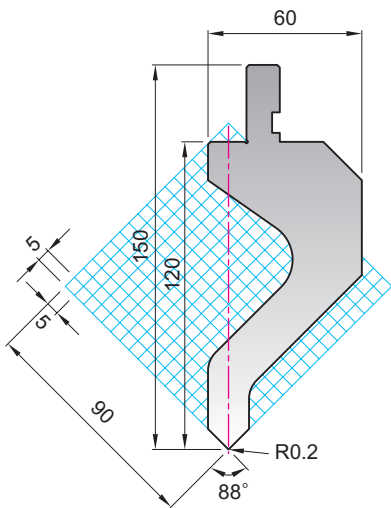
NO.118B-1



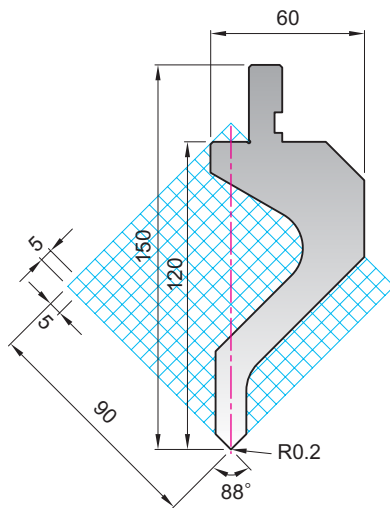
NO.118B-2



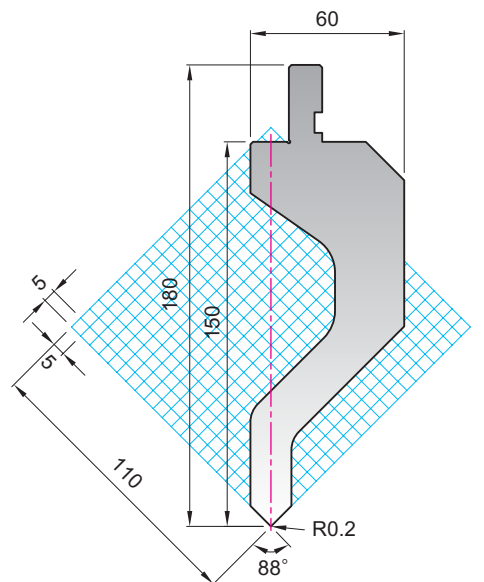
NO.118B-3



NO.118B-4

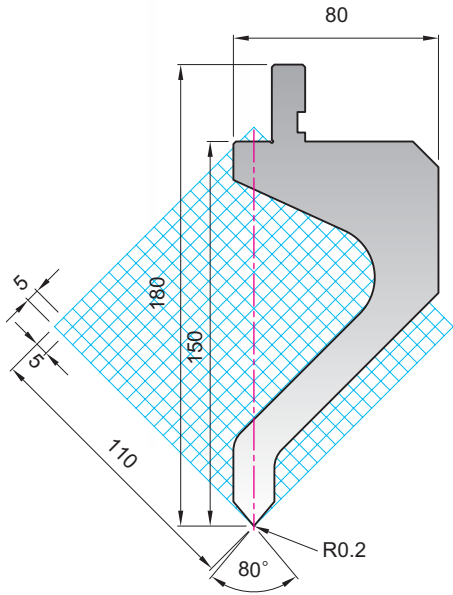


NO.118C-1

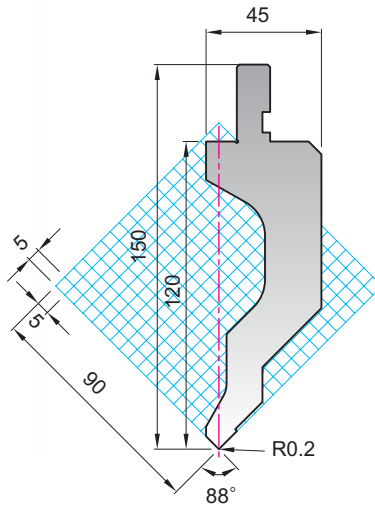


# 上刀 PUNCHES

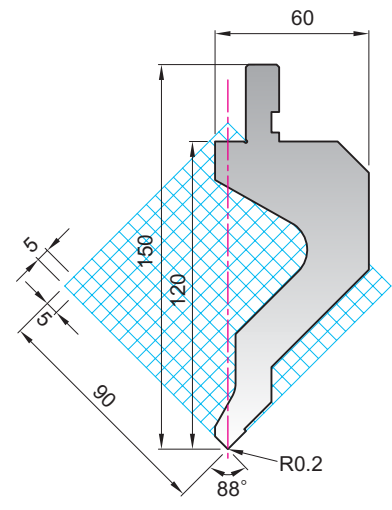
NO.118C-2



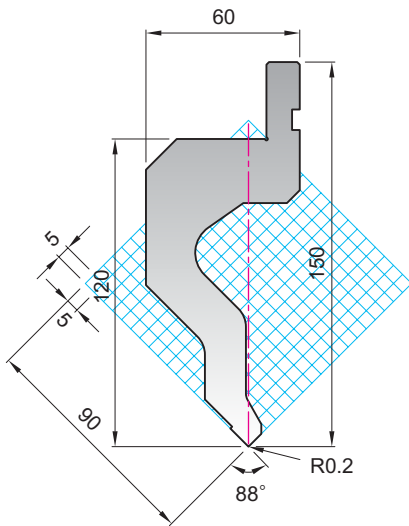
NO.119B-1



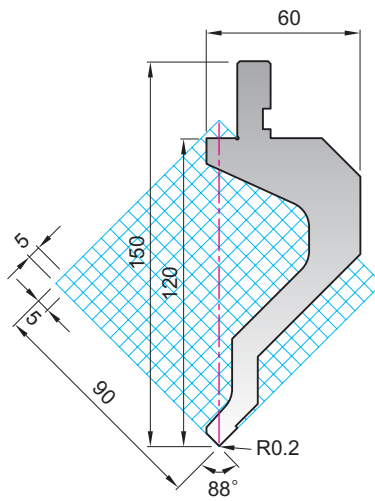
NO.119B-2



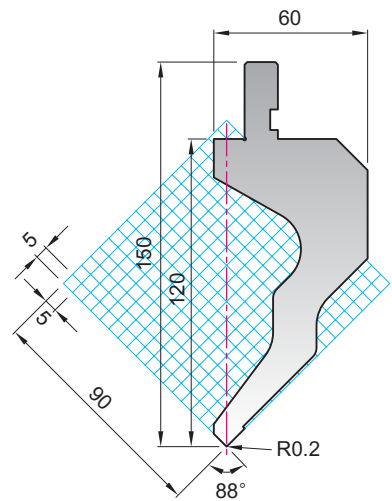
NO.119B-3



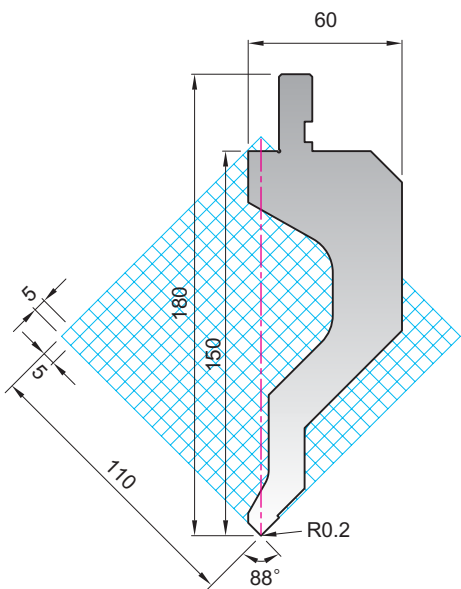
NO.119B-4



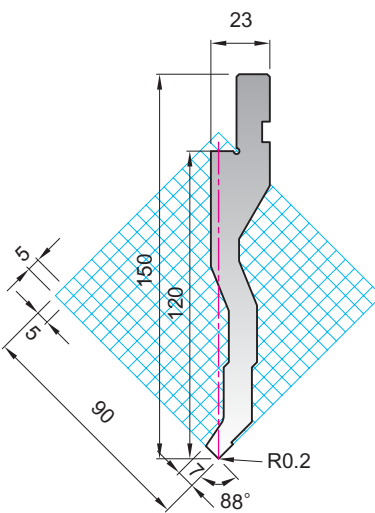
NO.119B-5



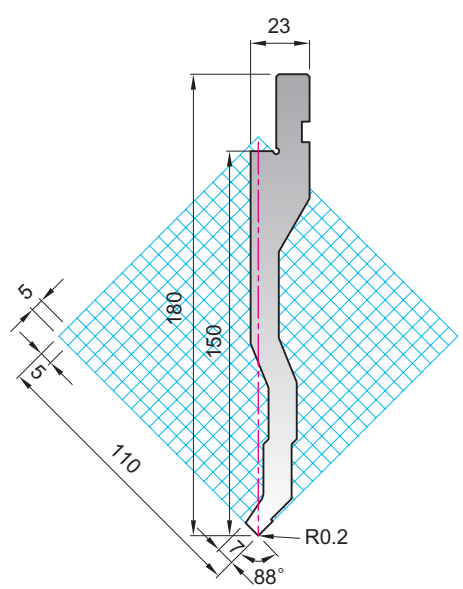
NO.119C



NO.120B



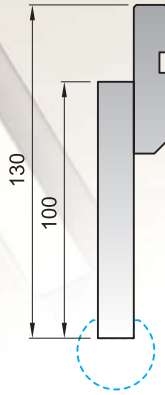
NO.120C



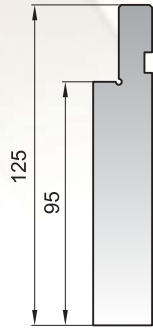


## 上刀 PUNCHES

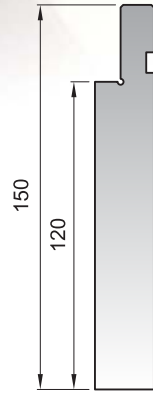
NO.121



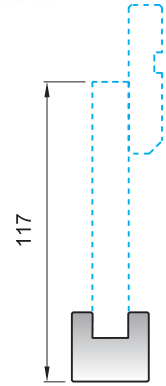
NO.124A



NO.124B



NO.134



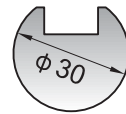
NO.131-1



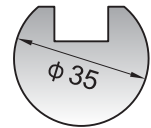
NO.131-2



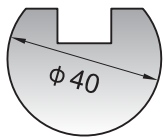
NO.131-3



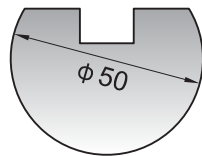
NO.131-4



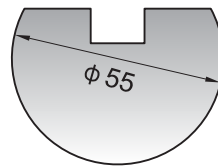
NO.131-5



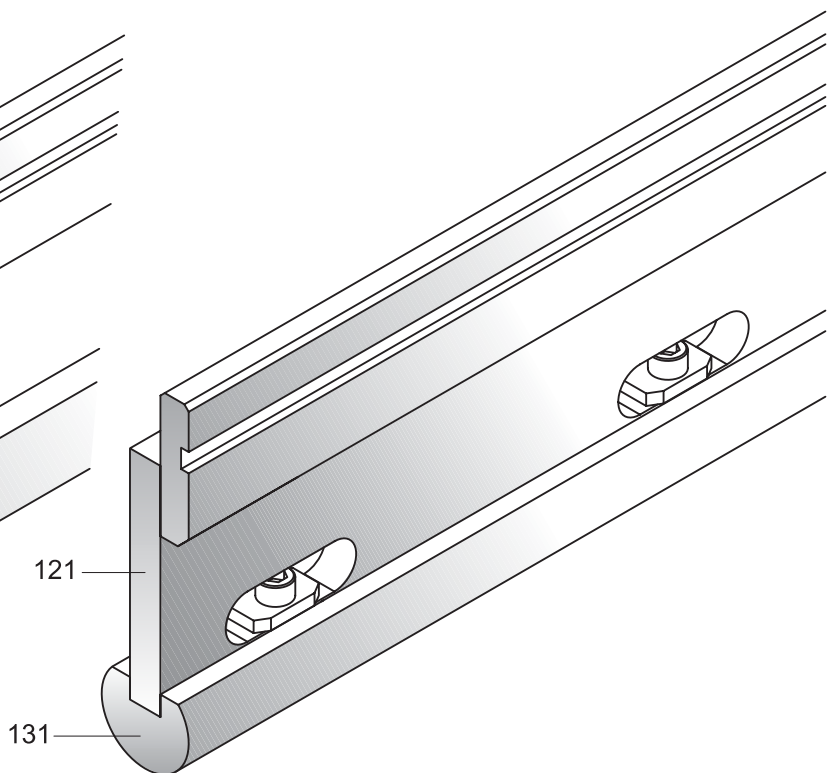
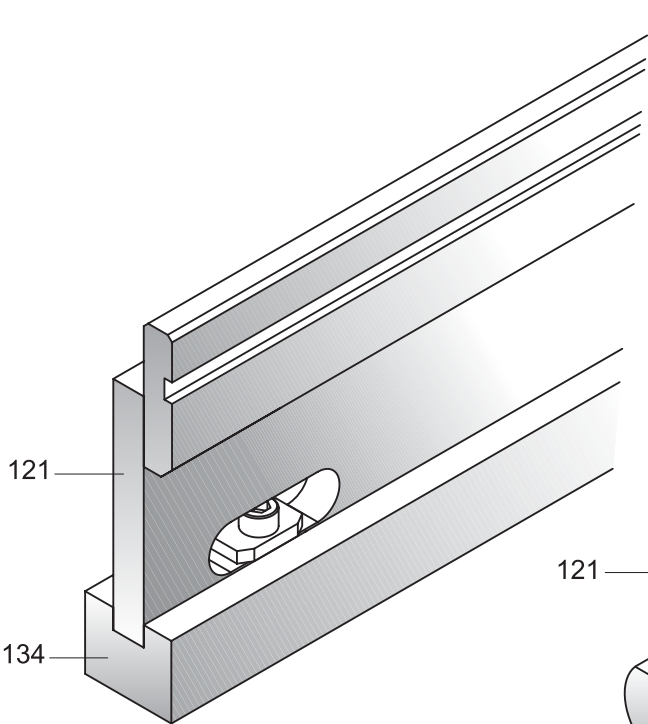
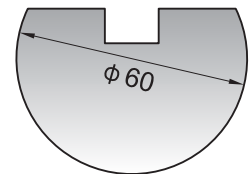
NO.131-6



NO.131-7



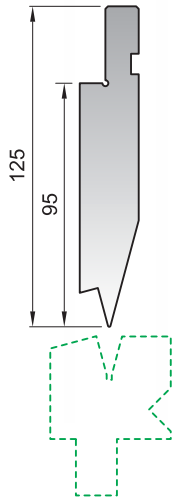
NO.131-8





# 上刀 PUNCHES

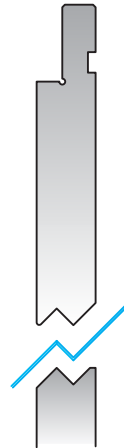
NO.125A



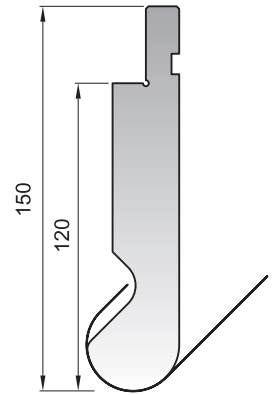
NO.126



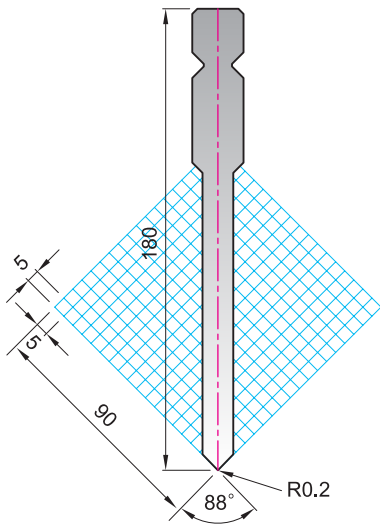
NO.126-1



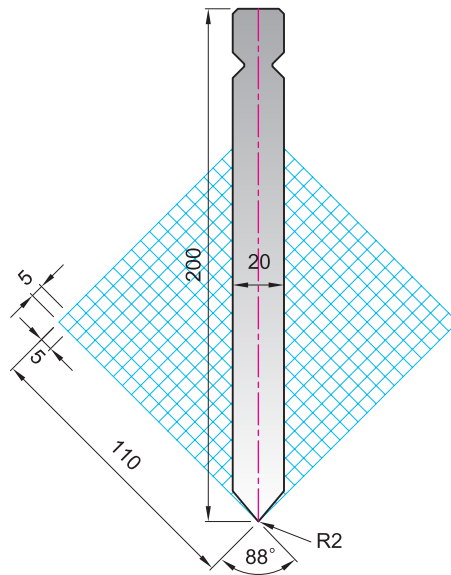
NO.141B



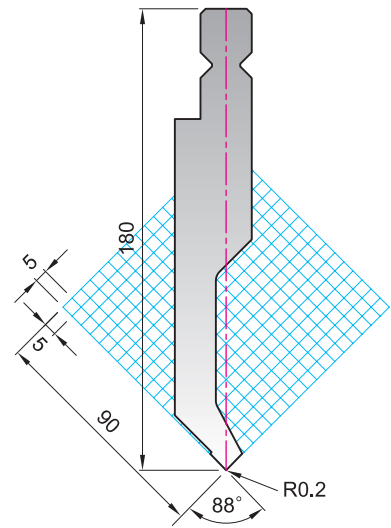
NO.112CHY



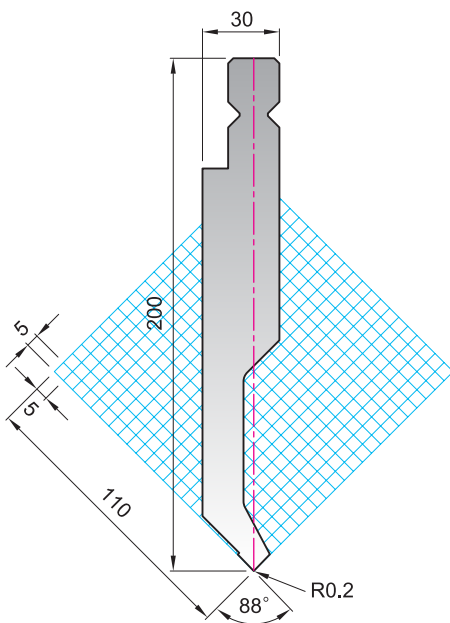
NO.112DHY



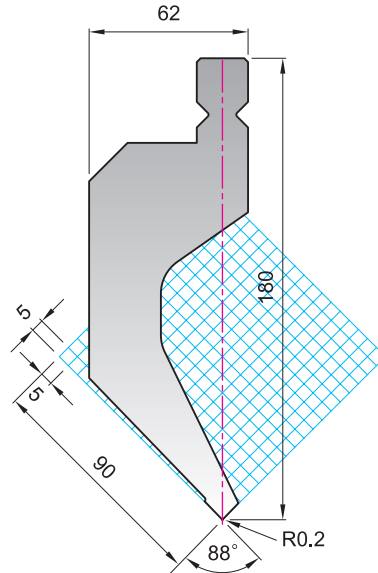
NO.114CHY



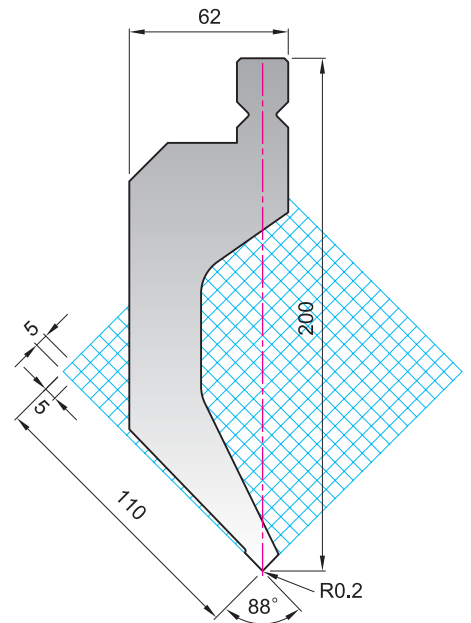
NO.114DHY



NO.115CHY

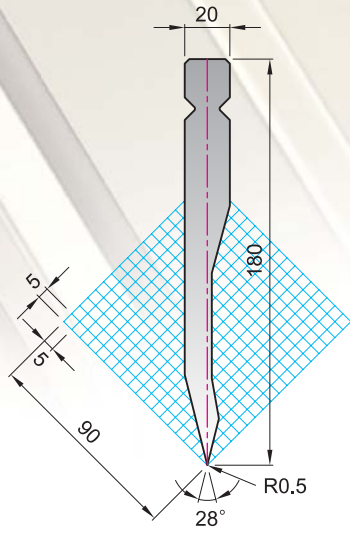


NO.115DHY

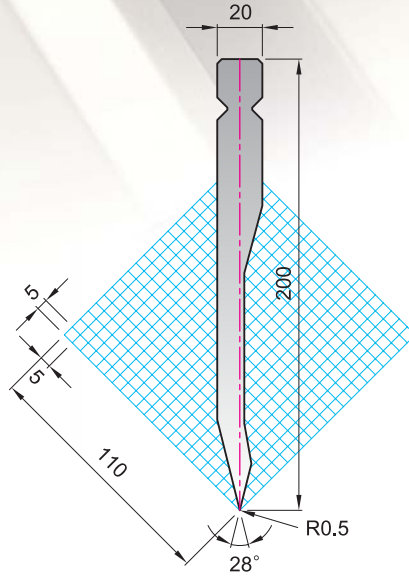


## 上刀 PUNCHES

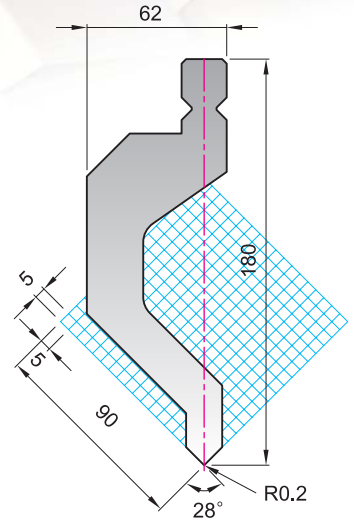
NO.117CHY



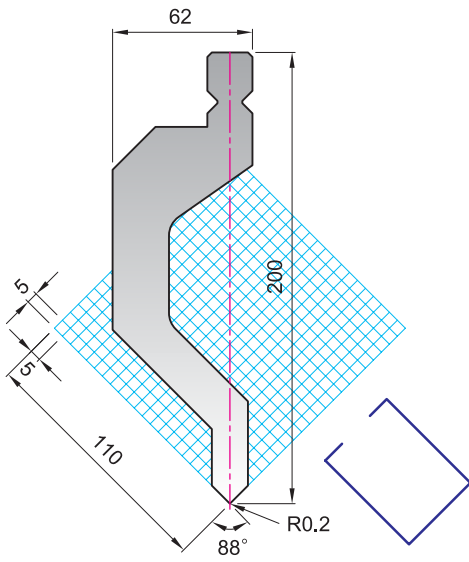
NO.117DHY



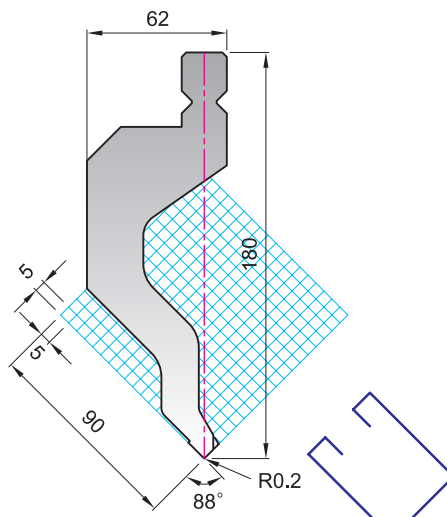
NO.118CHY



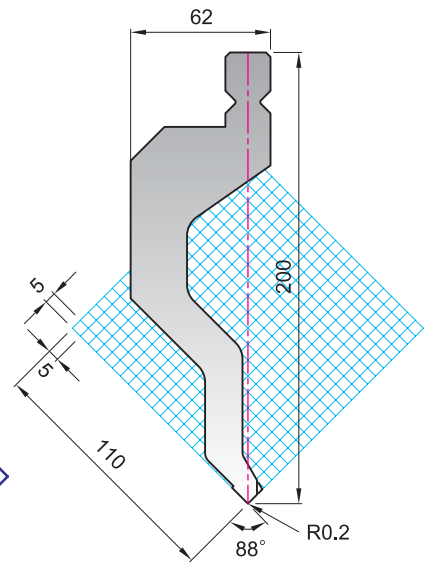
NO.118DHY



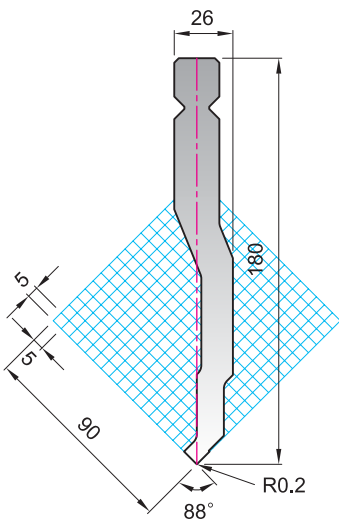
NO.119CHY



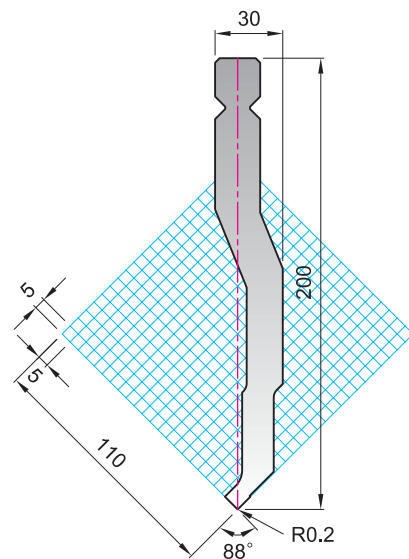
NO.119DHY



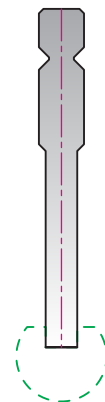
NO.120CHY



NO.120DHY

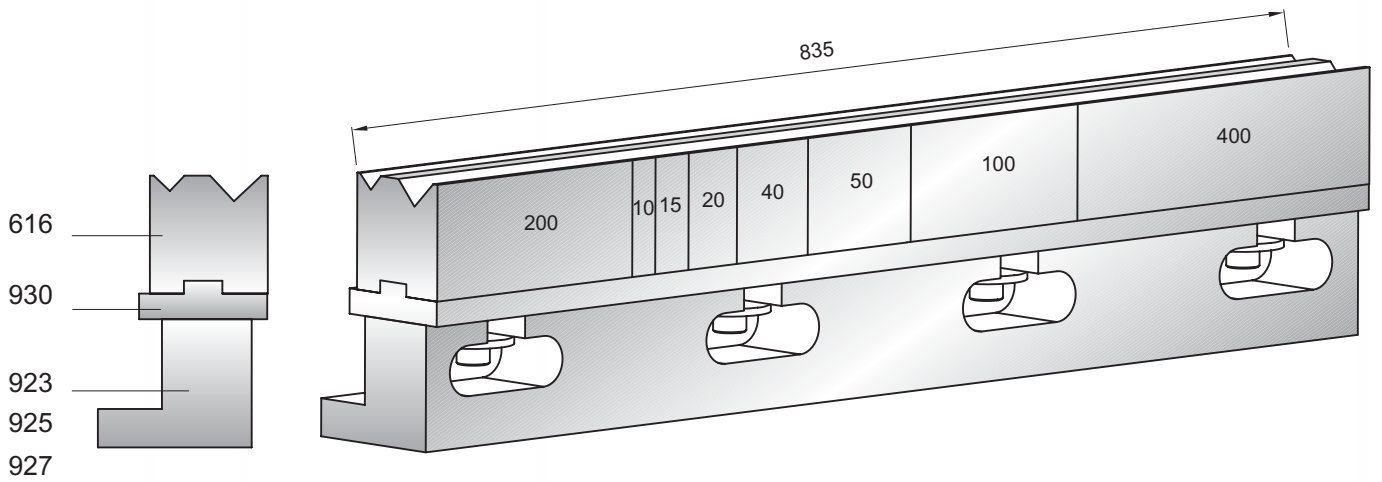


NO.121HY

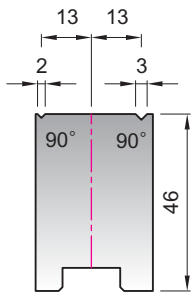




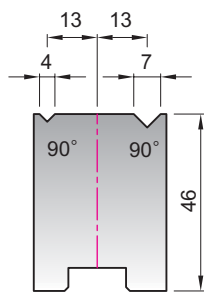
# 同心模 SLIDE DIE



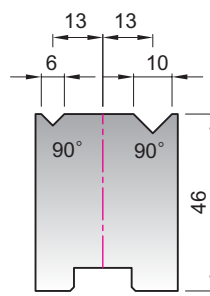
NO.616



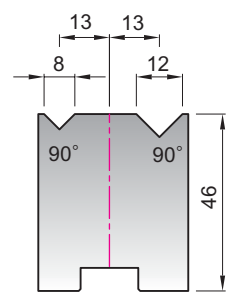
NO.616-1



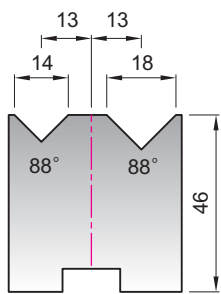
NO.616-2



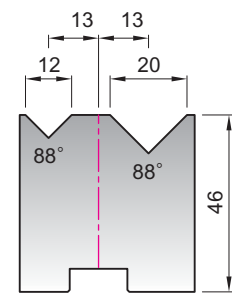
NO.616-3



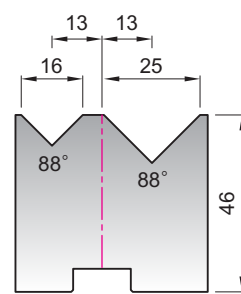
NO.616-4



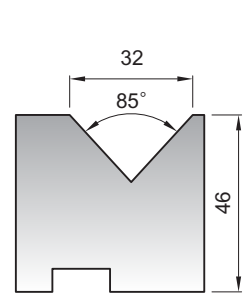
NO.616-5



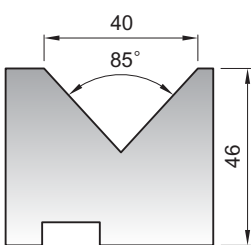
NO.616-6



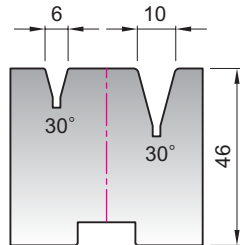
NO.616-7



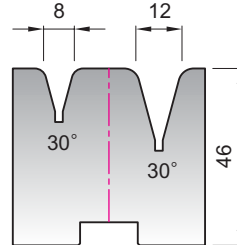
NO.616-8



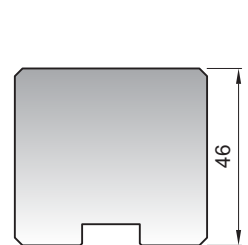
NO.616-9



NO.616-10

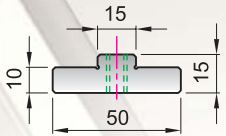


NO.616-11

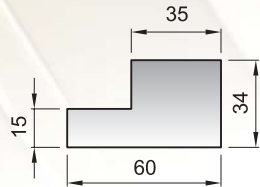


## 同心模 SLIDE DIE

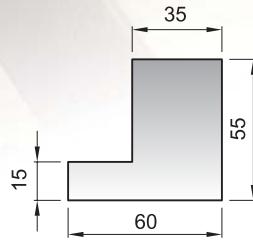
NO.930



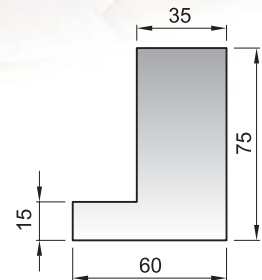
NO.923



NO.925



NO.927



616-9

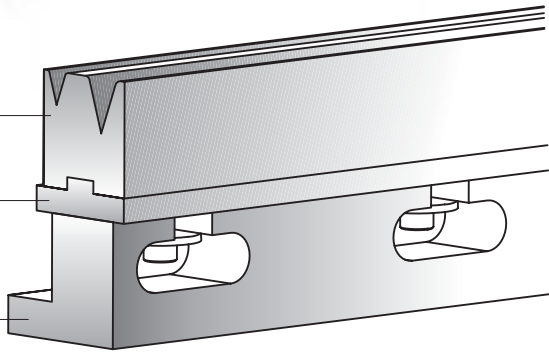
616-10

930

923

925

927



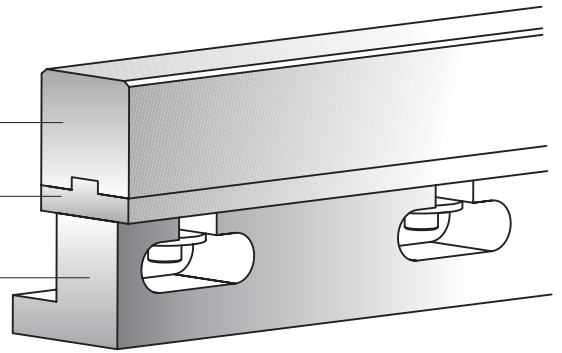
616-11

930

923

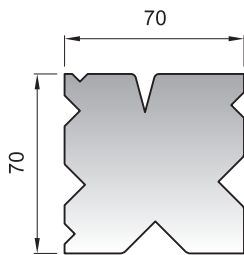
925

927

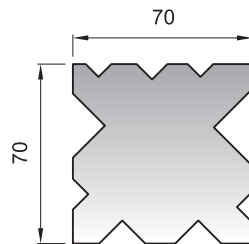


## 四方模 MULTI-V DIE

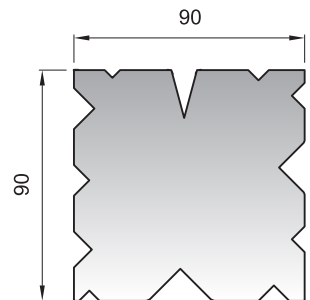
NO.615A-1



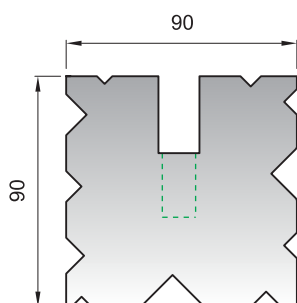
NO.615A-2



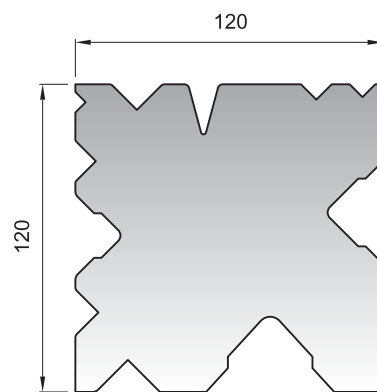
NO.615B-1



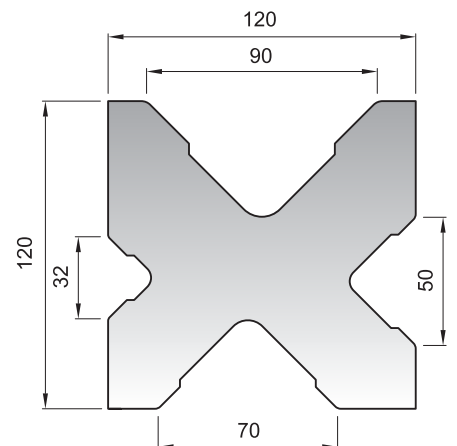
NO.615B-2



NO.615D-1

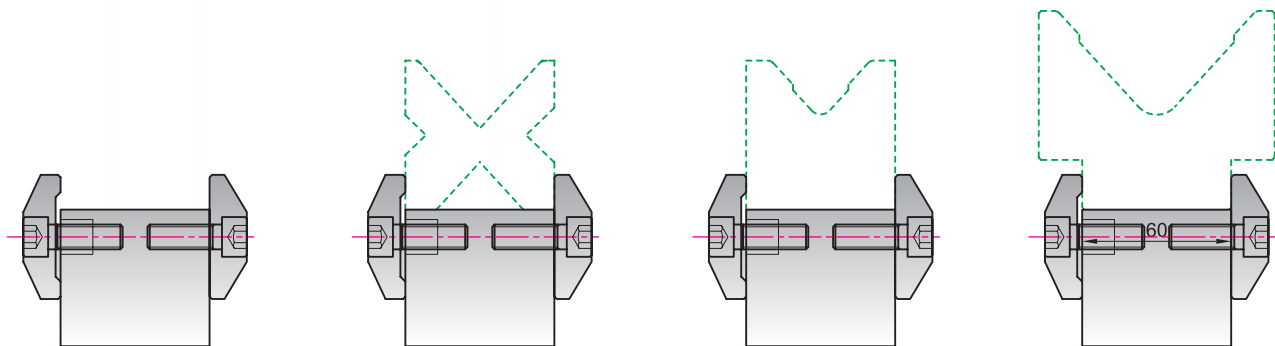


NO.615D-2

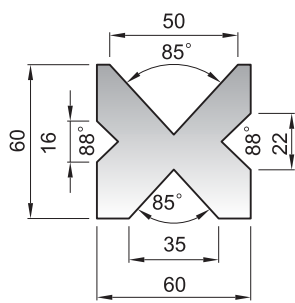


# 單槽底模 1-V DIE

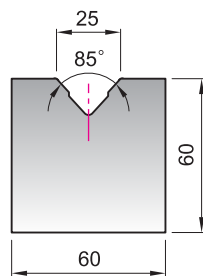
NO.55



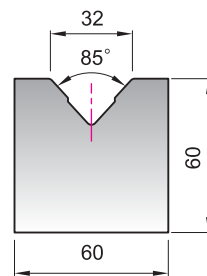
NO.129



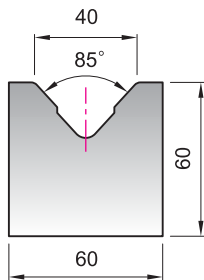
NO.613A-1



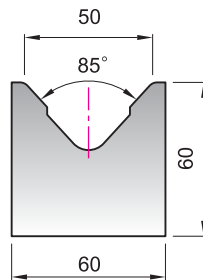
NO.613A-2



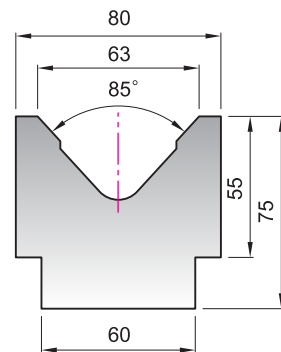
NO.613A-3



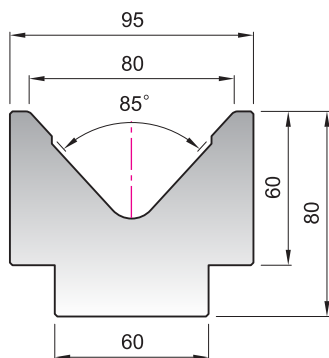
NO.613A-4



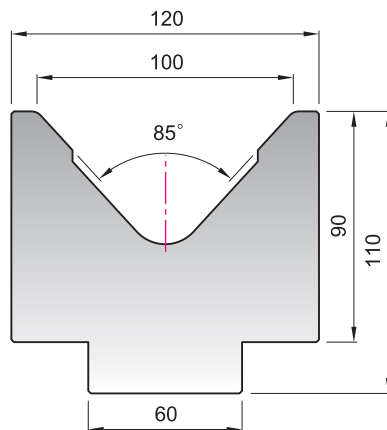
NO.613A-5



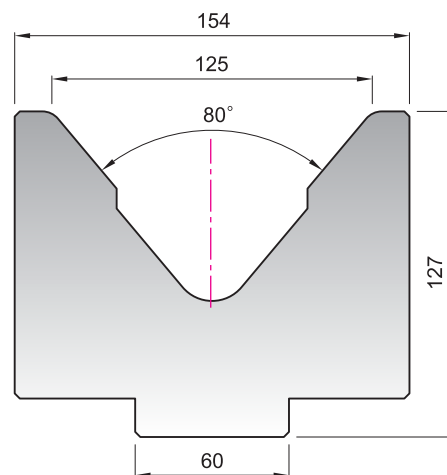
NO.613A-6



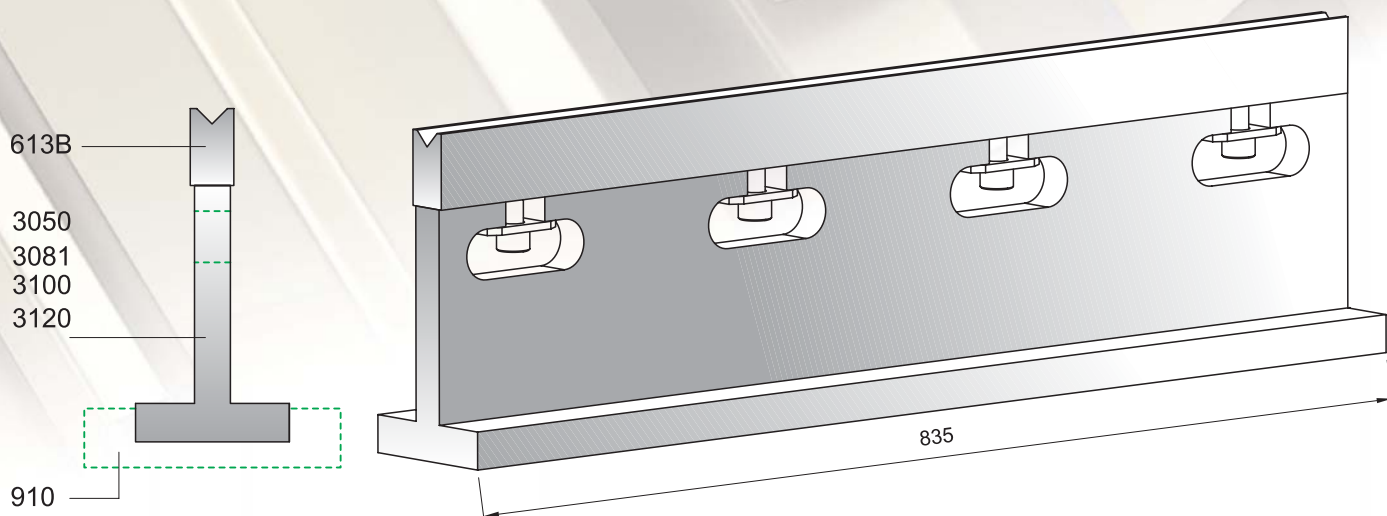
NO.613A-7



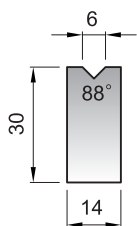
NO.613A-8



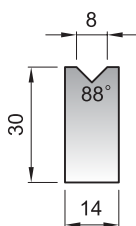
## 單槽底模 1-V DIE



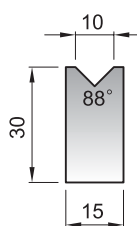
NO.613B-1



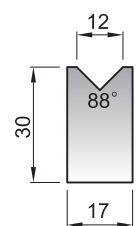
NO.613B-2



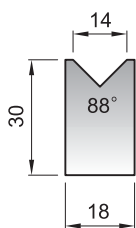
NO.613B-3



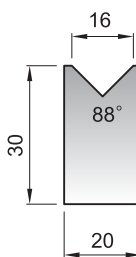
NO.613B-4



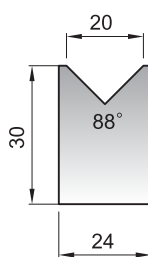
NO.613B-5



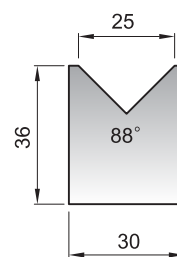
NO.613B-6



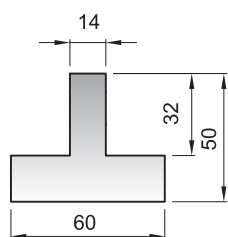
NO.613B-7



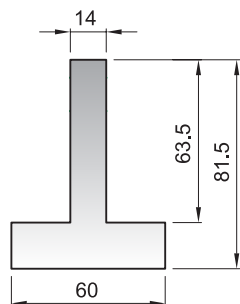
NO.613B-8



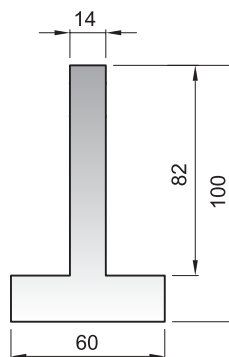
NO.3050



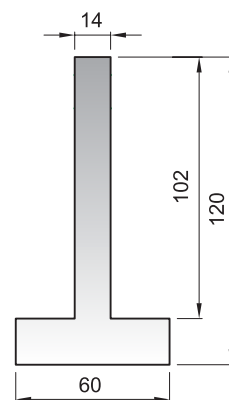
NO.3081



NO.3100

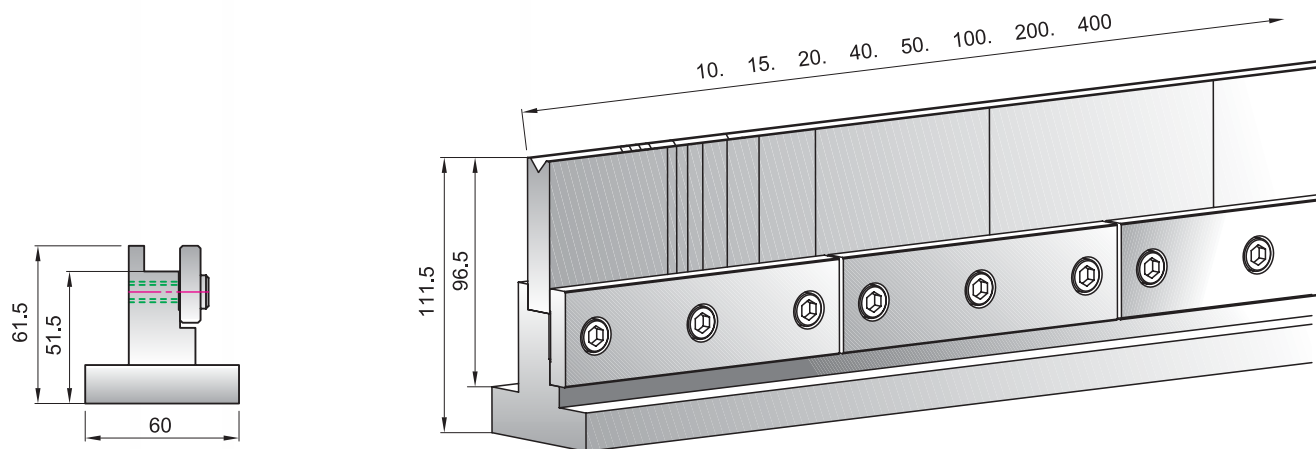


NO.3120

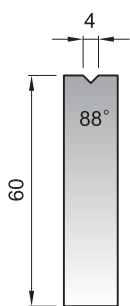


# 單槽底模 1-V DIE

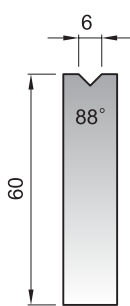
NO.081



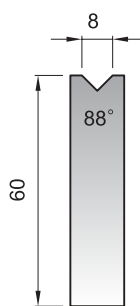
NO.613C-1



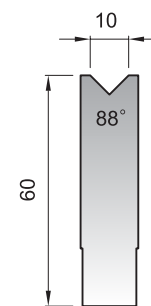
NO.613C-2



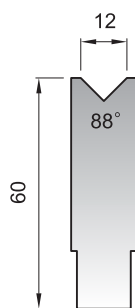
NO.613C-3



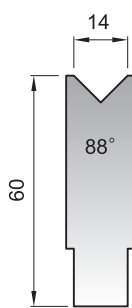
NO.613C-4



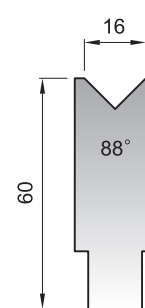
NO.613C-5



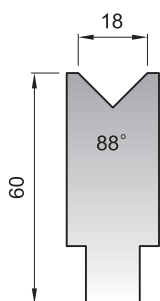
NO.613C-6



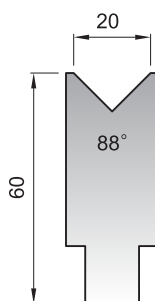
NO.613C-7



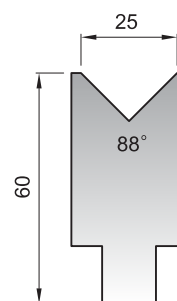
NO.613C-8



NO.613C-9



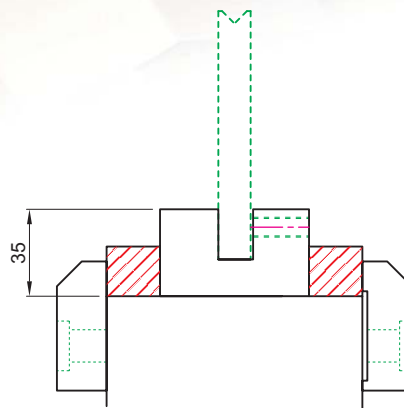
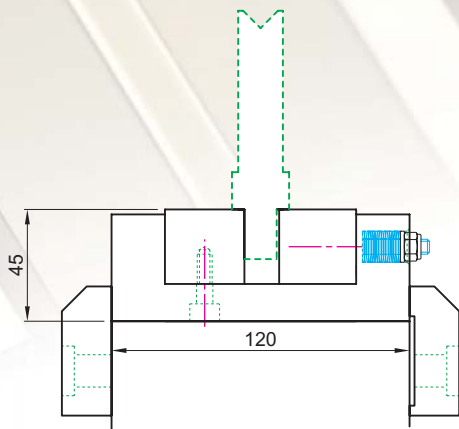
NO.613C-10



## 單槽底模 1-V DIE

油壓式下夾模座 Hydraulic Die Holder

手動式下夾模座 Manual Die Holder



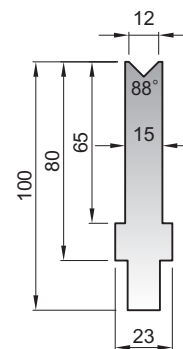
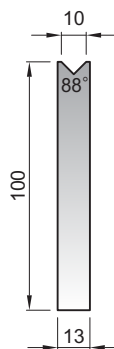
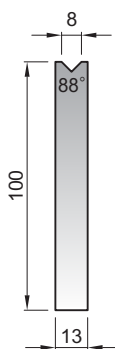
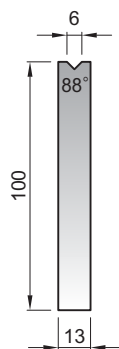
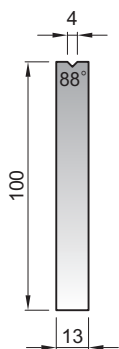
NO.613D-1

NO.613D-2

NO.613D-3

NO.613D-4

NO.613D-5



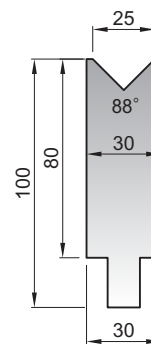
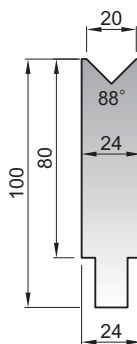
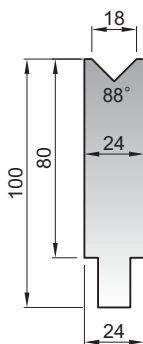
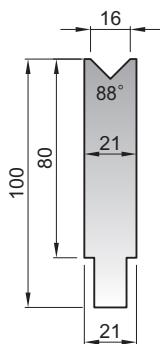
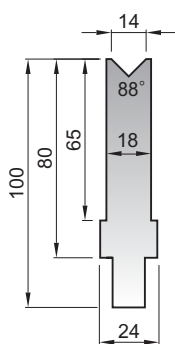
NO.613D-6

NO.613D-7

NO.613D-8

NO.613D-9

NO.613D-10



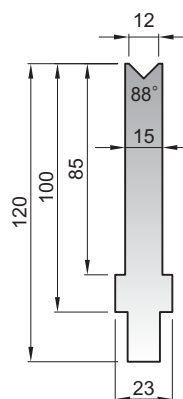
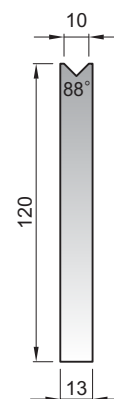
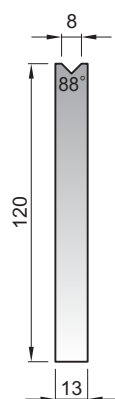
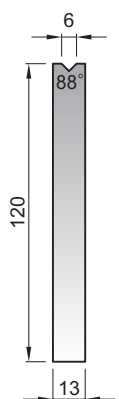
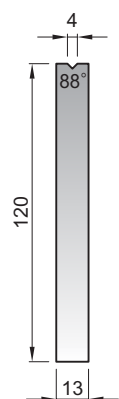
NO.613E-1

NO.613E-2

NO.613E-3

NO.613E-4

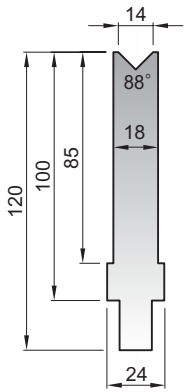
NO.613E-5



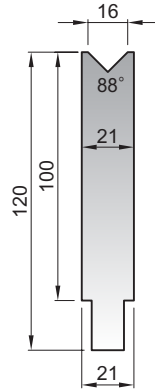


# 單槽底模 1-V DIE

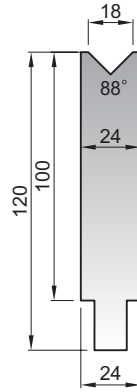
NO.613E-6



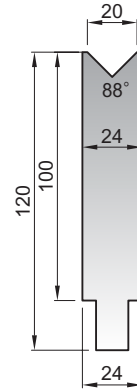
NO.613E-7



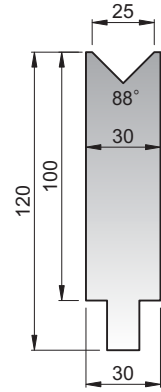
NO.613E-8



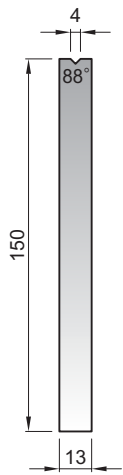
NO.613E-9



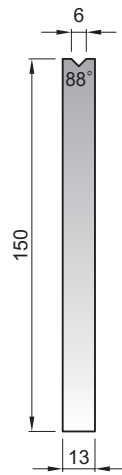
NO.613E-10



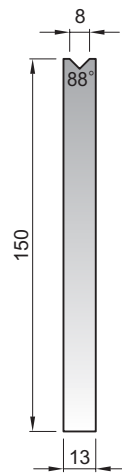
NO.613F-1



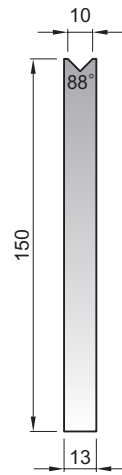
NO.613F-2



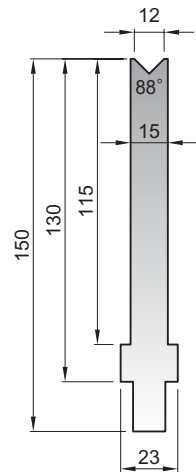
NO.613F-3



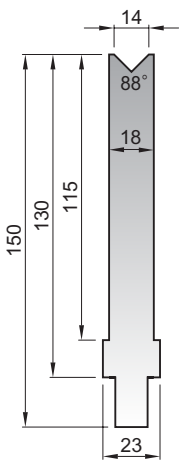
NO.613F-4



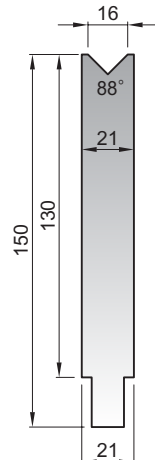
NO.613F-5



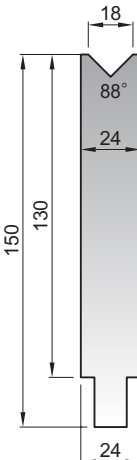
NO.613F-6



NO.613F-7



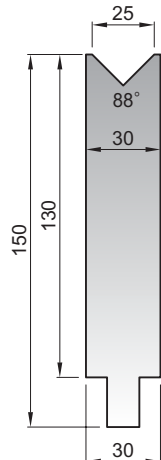
NO.613F-8



NO.613F-9

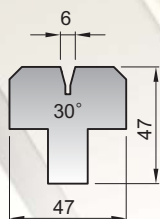


NO.613F-10

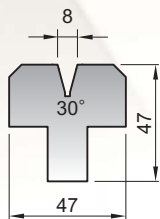


## 底模系列 DIES

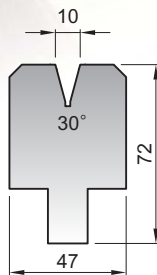
NO.123A-1



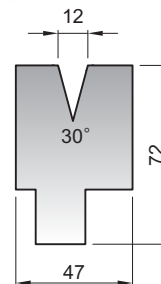
NO.123A-2



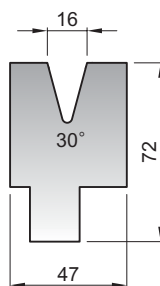
NO.123B-1



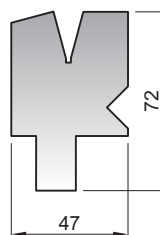
NO.123B-2



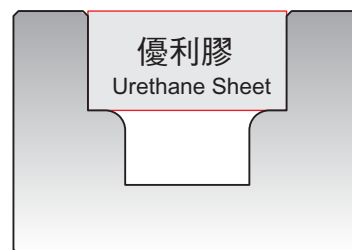
NO.123B-3



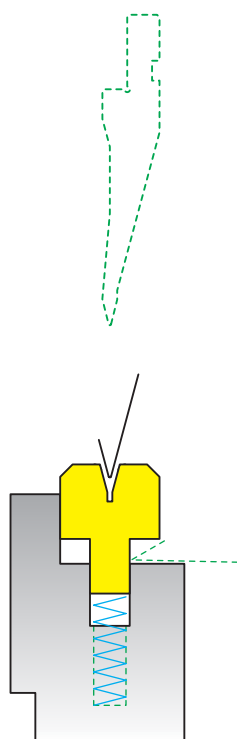
NO.123C



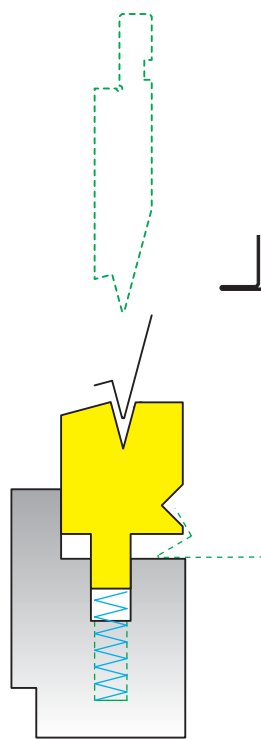
NO.612



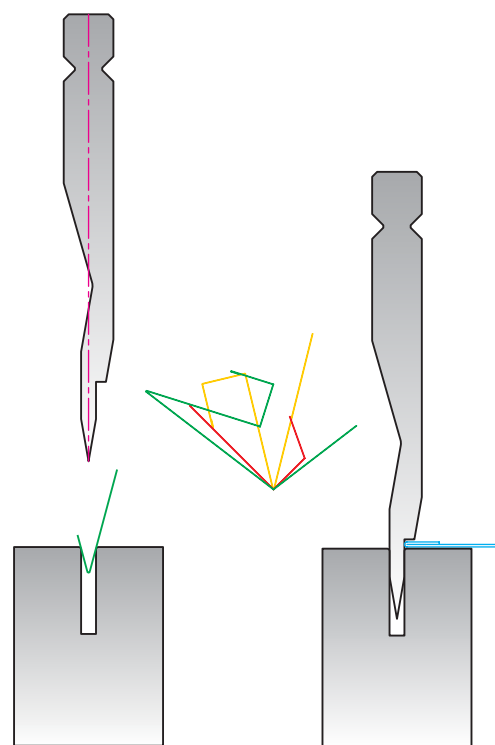
NO.511-1 壓扁組 Hemming Die Set



NO.511-2 壓扁組 Hemming Die Set

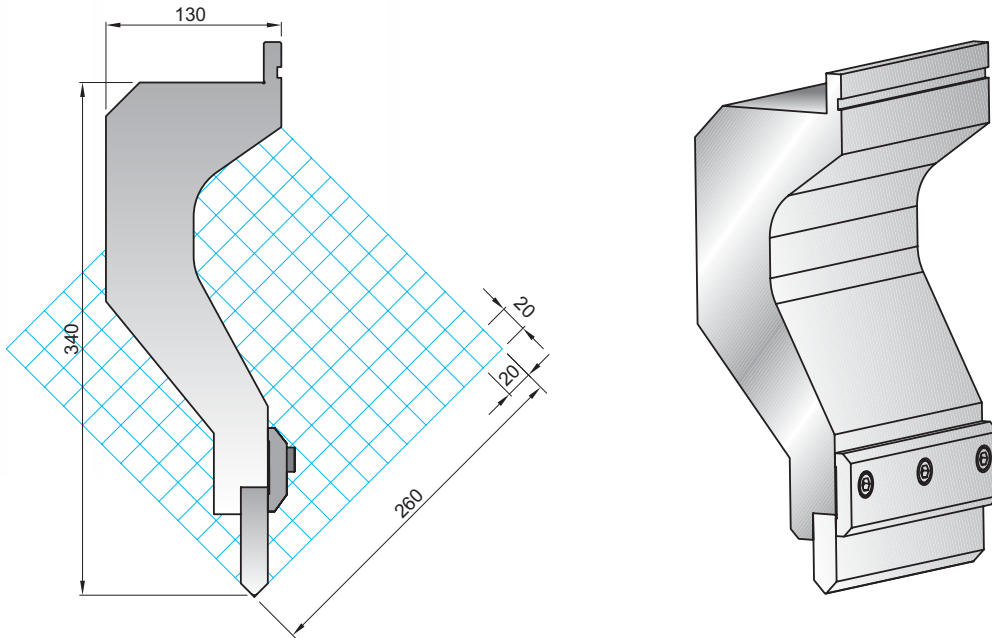


NO.512 壓扁組 Hemming Die Set

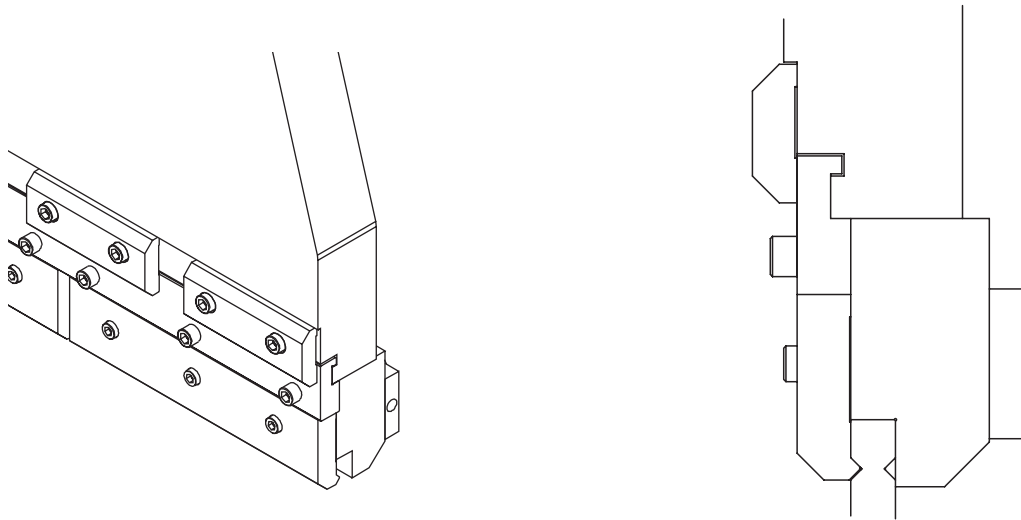


## 特殊模具製品 Optional Mould Accessories

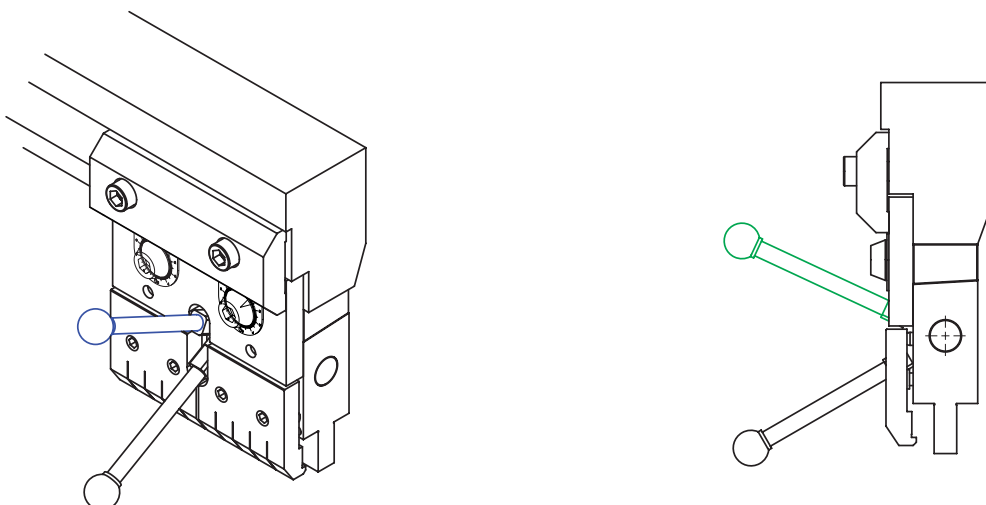
特殊刀架 Specialized Die Clamp

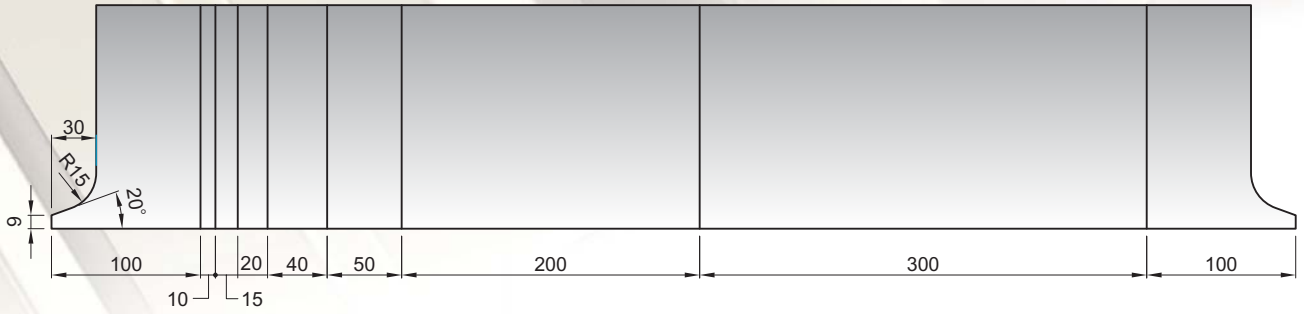


自動油壓夾具 Automatic hydraulic clamp



安全快速夾具系統（手動） Quick-release safety clamp (Manual)

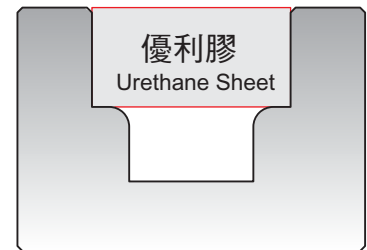
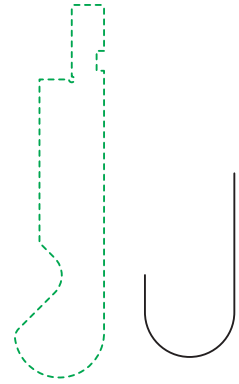
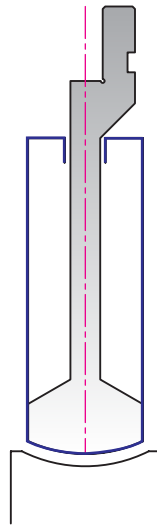
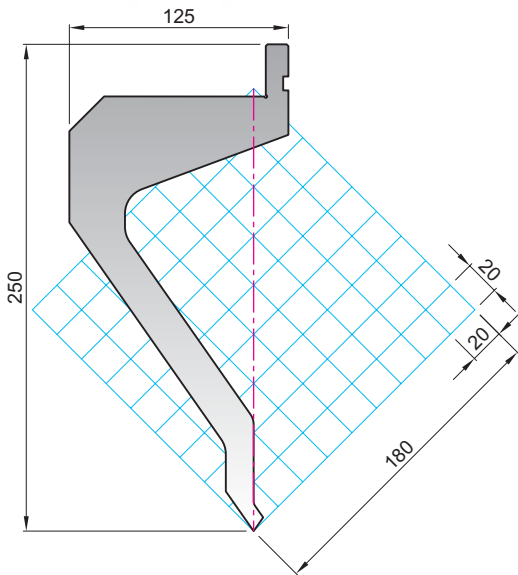




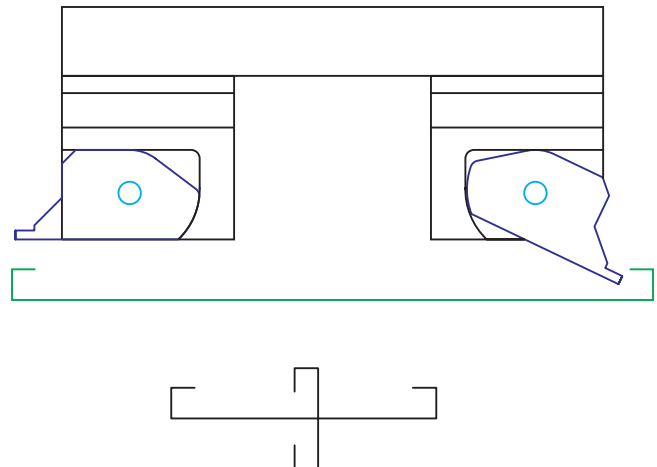
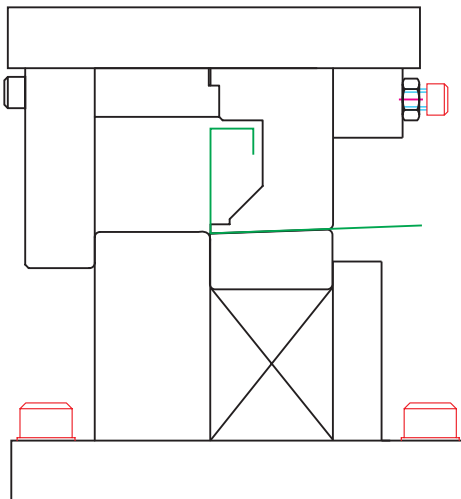
NO.SP04

NO.SP03

NO.612

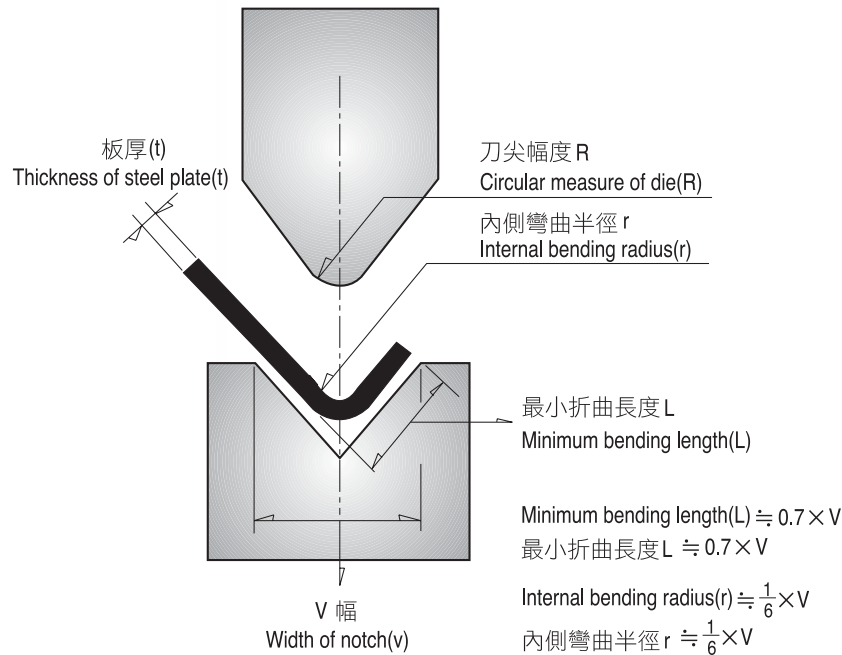


抽折模 Transverse Punch



# 折曲壓力表 Press Pressure chart

板厚 Thickness of steel plate(t)mm	0.6-4.0	4.5-8	9-25
V幅 Width of notch(v)mm	(6-8)xt	(8-10)xt	(10-12)xt



V 型 模 寬 V die width	曲 板 半 徑 r Curvature pressing radius	最 小 腳 長 L Minimum pressing length L	Pressing pressure chart Steel plate(45Kg/mm <sup>2</sup> ) Length 1000mm Curvature pressing pressure(ton)																	
			曲板能量表 鋼板(45Kg/mm <sup>2</sup> ) 長度1000mm 曲板壓力(ton)																	
			板 厚 t																	
			0.5	1.0	1.2	1.6	2.0	2.3	2.6	3.2	3.6	4.5	6	9	12	16	19	22	25	30
6	1	4	3	11																
8	1.5	5.5	2	8	12															
10	1.5	7	2	7	10	17														
12	2	8.5		6	8	14	22													
16	2.5	11			6	11	17	22												
20	3	14				9	13	17	22											
25	4	18					11	14	18	27										
32	5.5	23						11	14	21	27									
40	6.5	28							11	17	21	34								
50	8	35								14	17	27	50							
63	10	45									14	21	38	85						
80	13.5	57											30	67						
100	16	71											24	54	95					
125	20	89												43	76	135				
160	26	113													60	106	149			
200	35	140														85	119	160		
250	42	175															95	128	165	238

## 主要產品 MAIN PRODUCTS:

- CNC油壓折床YCN/DA系列  
CNC HYDRAULIC PRESS BRAKE  
YCN/DA SERIES
- NC油壓折床YCN/DA/NC系列  
NC HYDRAULIC PRESS BRAKE  
YCN/DA/NC SERIES
- CNC/AC電機伺服馬達折床EPB系列  
CNC AC SERVO PRESS BRAKE  
EPB SERIES
- 油壓折床YCA系列  
HYDRAULIC PRESS BRAKE  
YCA SERIES
- 萬能油壓折床YCU系列  
UNIVERSAL HYDRAULIC PRESS BRAKE  
YCU SERIES
- 油壓彎板機YCL系列  
HYDRAULIC FOLDING MACHINE  
YCL SERIES
- 手動彎板機YCB系列  
MANUAL FOLDING MACHINE  
YCB SERIES
- 自動化油壓剪床送料集料生產線YCS-F系列  
AUTOMATIC HYDRAULIC SHEAR FEEDING AND  
STACKING PRODUCTION LINE  
YCS-F SERIES
- CNC多軸直截式油壓剪床YCS-H系列  
CNC MULTIPLE AXES GUILLOTINE HYDRAULIC SHEAR  
YCS-H SERIES
- NC直截式油壓剪床YCS-H系列  
NC GUILLOTINE HYDRAULIC SHEAR  
YCS-H SERIES
- NC搖臂式油壓剪床YCS-S系列  
NC HYDRAULIC SWING BEAM SHEAR  
YCS-S SERIES
- 油壓切角機YCE系列  
HYDRAULIC NOTCHING MACHINE  
YCE SERIES
- 油壓深絞成型機YCT系列  
HYDRAULIC STRAIGHT-SIDE PRESS  
YCT SERIES
- 油壓C型沖床YCT-C/YCT-CG系列  
C-FRAME HYDRAULIC PRESS  
YCT-C/YCT-CG SERIES
- 油壓四柱型沖床YCH系列  
4-POST HYDRAULIC PRESS  
YCH SERIES
- 油壓合模機YCT-DS系列  
HYDRAULIC DIE SPOTTING PRESS  
YCT-DS SERIES
- 金屬板冷軋滾輪成型機及周邊自動化設備  
METAL COLD ROLL FORMING LINE  
& AUTOMATIC SOLUTIONS
- CNC三軸同步控制刨V槽專用機YCV系列  
CNC 3 AXES V PLANER  
YCV SERIES



## 暉俊工業股份有限公司 YEH CHIUN INDUSTRIAL CO., LTD.

台灣一廠·台中市41463烏日區福泰街75號  
OFFICE1: NO.75, FU TAI ST., WURI DIST., TAICHUNG CITY  
41463, TAIWAN (R.O.C.)

TEL: +886-4-23352579 FAX: +886-4-23352773

台灣二廠·台中市41468烏日區大明路成豐巷42之8號  
OFFICE2: NO.42-8, CHENG FENG LN., TAIMING RD., WURI DIST.,  
TAICHUNG CITY 41468, TAIWAN (R.O.C.)

TEL: +886-4-23354705 FAX: +886-4-23352868

## 暉俊(昆山)機械有限公司 YEH CHIUN (KUN SHAN) MACHINERY CO., LTD.

TEL: +86-512-57932602 FAX: +86-512-57932797

E-mail: yehchiun@126.com

經銷商(AGENT):

<http://www.yehchiun.com>

E-mail: [sales@yehchiun.com](mailto:sales@yehchiun.com)